

DS805A

DMX LED DIMMER 4CH

www.luxom.be

FUNCTIONAL DETAILS OUTPUT

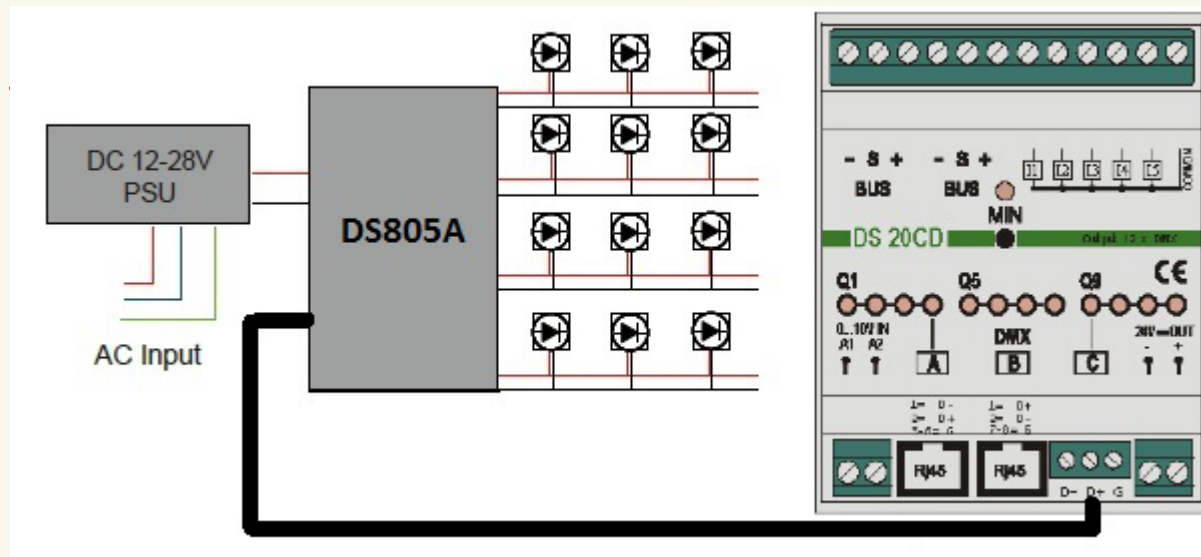
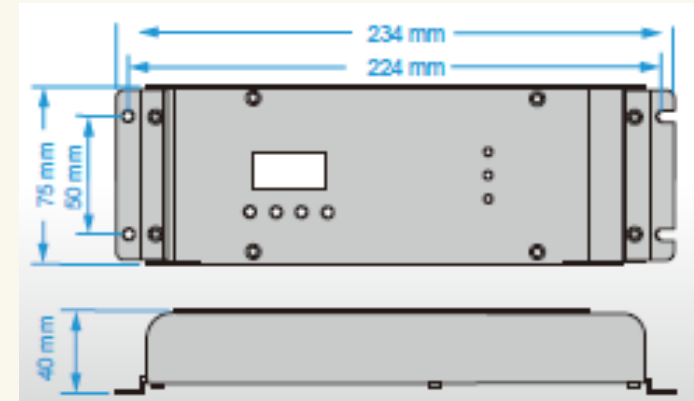
Number of outputs	4
Output type	Dimmable
Output	Constant voltage
Power	5A / channel
Dimming range	0-100%

TECHNICAL DESCRIPTION

Power supply	12-28VDC
Installation	Wall mount
Input	DMX

GENERAL

Warranty	2 years on exchange
Operational temperature	0 - 40° C
Dimensions LxWxH	234(L) x 75(W) x 40(H) mm
Weight	400g



- Dimmer with 4 outputs: can be controlled with the DS20CD 12 channel dim controller. The DS805A can for example control RGB + W LED light